



COMPACT PUSH WIRE® connector for junction boxes; 4-conductor terminal block; transparent housing; red cover

Item No.: 2273-204



COMPACT PUSH WIRE® connector for junction boxes; 4-conductor terminal block; transparent housing; red cover

Marking

RoHS ✓
Compliant

Business data

| | |
|----------------------|---------------|
| Supplier | WAGO |
| Item no. | 2273-204 |
| GTIN / EAN | 4050821027867 |
| Content | 1 |
| Order amount | 100 |
| Customer item number | |

Notes

Technical data

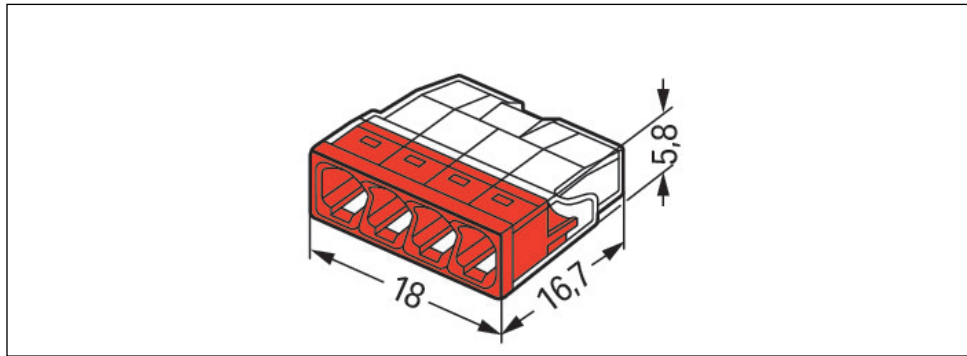
Miscellaneous

| | |
|---------------------------------|---|
| Safety information 1 | In grounded power lines |
| Connection technology | PUSH WIRE® |
| Actuation type | Push-in |
| Connectable conductor materials | Copper |
| Solid conductor | 0.5 ... 2.5 mm ² / 18 ... 14 AWG |
| Strip length | 11 mm / 0.43 Inch |

| Technical data | |
|--|-------------------------------|
| <i>Total number of connection points</i> | <i>4</i> |
| <i>Total number of potentials</i> | <i>1</i> |
| <i>Type of wiring</i> | <i>Side-entry wiring</i> |
| <i>Width</i> | <i>18 mm / 0.709 in</i> |
| <i>Height</i> | <i>5.8 mm / 0.228 in</i> |
| <i>Depth</i> | <i>16.7 mm / 0.657 in</i> |
| <i>Color</i> | <i>red</i> |
| <i>Cover color</i> | <i>red</i> |
| <i>Flammability class per UL94</i> | <i>V2</i> |
| <i>Fire load [MJ]</i> | <i>0.025 [MJ]</i> |
| <i>Weight [g]</i> | <i>1.3 [g]</i> |
| <i>Surrounding air (operating) temperature</i> | <i>60 °C</i> |
| <i>Continuous operating temperature up to [°C]</i> | <i>105 [°C]</i> |
| <i>T-Marking per EN 60998</i> | <i>T60</i> |
| <i>Packaging type</i> | <i>BOX</i> |
| <i>[mm]</i> | <i>18 [mm]</i> |
| <i>Main product function</i> | <i>Push-in terminal block</i> |
| <i>Product type</i> | <i>Splicing connectors</i> |

Images & drawings





Address

WAGO Kontakttechnik GmbH & Co. KG

Hansastr. 27

32423 Minden

Telefon: 0571/887-0

Fax: 0571/887-169

<http://www.wago.com>

© WAGO Kontakttechnik GmbH & Co. KG

Technische Änderungen und Irrtümer vorbehalten.