



COMPACT PUSH WIRE® connector for junction boxes; 8-conductor terminal block; transparent housing; light gray cover

Item No.: 2273-208



COMPACT PUSH WIRE® connector for junction boxes; 8-conductor terminal block; transparent housing; light gray cover

Marking

RoHS ✓
Compliant

Business data

Supplier	WAGO
Item no.	2273-208
GTIN / EAN	4050821027881
Content	1
Order amount	50
Customer item number	

Notes

Technical data

Miscellaneous

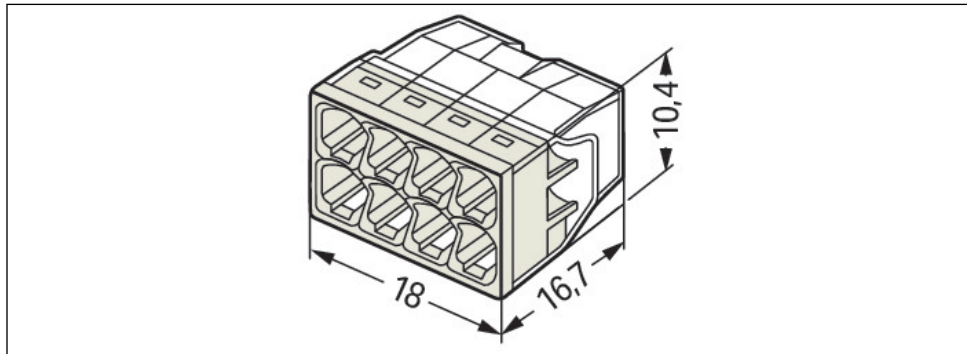
Safety information 1	In grounded power lines
Connection technology	PUSH WIRE®
Actuation type	Push-in
Connectable conductor materials	Copper
Solid conductor	0.5 ... 2.5 mm ² / 18 ... 14 AWG

Technical data	
<i>Strip length</i>	<i>11 mm / 0.43 Inch</i>
<i>Total number of connection points</i>	<i>8</i>
<i>Total number of potentials</i>	<i>1</i>
<i>Type of wiring</i>	<i>Side-entry wiring</i>
<i>Width</i>	<i>18 mm / 0.709 in</i>
<i>Height</i>	<i>10.4 mm / 0.409 in</i>
<i>Depth</i>	<i>16.7 mm / 0.657 in</i>
<i>Color</i>	<i>light gray</i>
<i>Cover color</i>	<i>light gray</i>
<i>Flammability class per UL94</i>	<i>V2</i>
<i>Fire load [MJ]</i>	<i>0.039 [MJ]</i>
<i>Weight [g]</i>	<i>2.17 [g]</i>
<i>Surrounding air (operating) temperature</i>	<i>60 °C</i>
<i>Continuous operating temperature up to [°C]</i>	<i>105 [°C]</i>
<i>T-Marking per EN 60998</i>	<i>T60</i>
<i>Packaging type</i>	<i>BOX</i>
<i>[mm]</i>	<i>18 [mm]</i>
<i>Main product function</i>	<i>Push-in terminal block</i>
<i>Product type</i>	<i>Splicing connectors</i>

Images & drawings



Printview: COMPACT PUSH WIRE® connector for junction boxes; 8-conductor terminal block; transparent housing; light gray cover - Item No.: 2273-208



Address

WAGO Kontakttechnik GmbH & Co. KG

Hansastr. 27

32423 Minden

Telefon: 0571/887-0

Fax: 0571/887-169

<http://www.wago.com>

© WAGO Kontakttechnik GmbH & Co. KG

Technische Änderungen und Irrtümer vorbehalten.